

## FEATURES AND SPECIFICATIONS

### Features and Benefits

- Low profile design to accommodate height constraints
- Fully isolated terminals to protect contacts from damage
- Uses standard Mini-Fit series terminals

### Reference Information

Product Specification: PS-5556-0001

Packaging: Tray or bag

UL File No.: E29179

CSA File No.: LR19980

TUV License No.: R75142

Mates With: [5559](#), [5566](#) and [5569](#) single row connectors and [71233](#) right angle headers

Use With: [5556](#) or 44476 terminals

Designed In: Millimeters

### Mechanical

Contact Insertion Force: 1.5kg max.

Contact Retention to Housing: 3.0kg min.

Wire Pull-Out Force: 9.0kg min.

Insertion Force to PCB: 5.0kg max.

Mating Force: 0.7kg (1.54 lb) max.

Unmating Force: 0.05kg (0.11 lb) min.

Normal Force: 200g min.

Durability: 30 cycles

### Physical

Housing: 6/6 nylon, UL 94V-2 or 94V-0

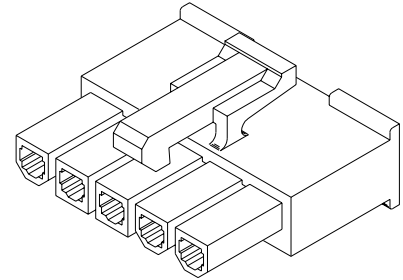
Contact: Brass or Phosphor Bronze

Plating: Tin, select Gold or overall Gold

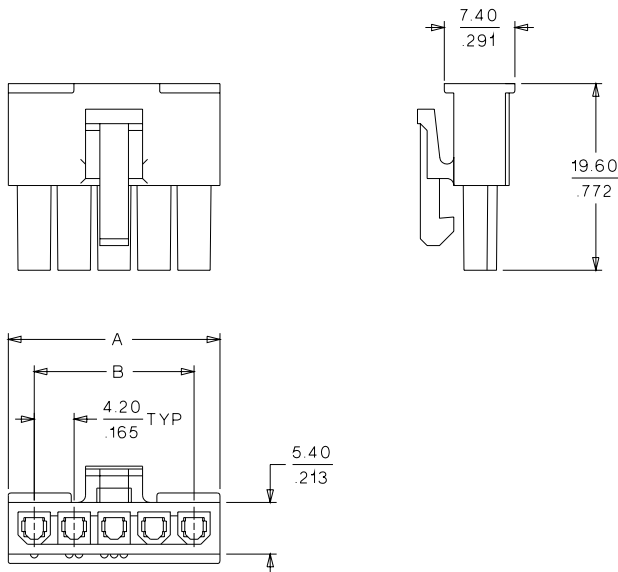
Operating Temperature: -40 to +105°C

# molex® 4.20mm (.165") Pitch Mini-Fit, Jr.™ Receptacle

## 5557 Single Row



## CATALOG DRAWING (FOR REFERENCE ONLY)



	<b>Order No.</b>
<b>Polarizing Key</b>	15-04-0211

## ORDERING INFORMATION AND DIMENSIONS

Circuits	Order No.		Dimension	
	94V-2	94V-0	A	B
3*	39-01-4030	39-01-4031	13.80 (.543)	8.40 (.331)
4	39-01-4040	39-01-4041	18.00 (.709)	12.60 (.496)
5	39-01-4050	39-01-4051	22.20 (.874)	16.80 (.661)

• US Standard Product, available through Molex franchised distributors

\* 3-circuit receptacle designed for first-mate/last-break applications