



LA1185

## FM Front-end for Radio-cassette Recorder, Home Stereo Applications

### Overview

The LA1185 is an FM receiver front-end IC for radio-cassette recorder, music center applications. Its mixer is of double-balanced type. The built-in oscillator and buffer amplifier improves the strong input characteristic.

### Use

- FM front-end IC for radio-cassette recorders and music centers

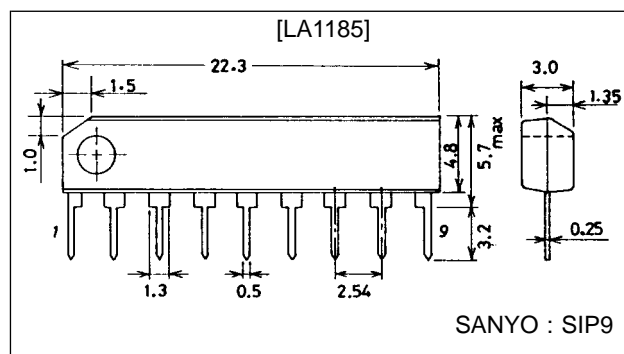
### Functions and Features

- RF amplifier, mixer, local oscillator
- Improvement in cross modulation characteristics due to the use of double-balanced mixer.
- Improvement in strong input characteristic.
- Minimum number of external parts required.
- Less spurious radiation from local oscillator.
- Operating voltage range : 1.5 to 8.0 V

### Package Dimensions

unit : mm

3017C-SIP9



### Specifications

#### Maximum Ratings at Ta = 25°C

Parameter	Symbol	Conditions	Ratings	Unit
Maximum supply voltage	$V_{CC}$ max		8	V
Maximum pin voltage	$V_{3-5}$		12	V
	$V_{6-5}$		$V_{CC} + 0.8$	V
Allowable power dissipation	$P_d$ max	$T_a \leq 80^\circ\text{C}$	150	mW
Operating temperature	$T_{opr}$		-20 to +80	°C
Storage temperature	$T_{stg}$		-40 to +125	°C

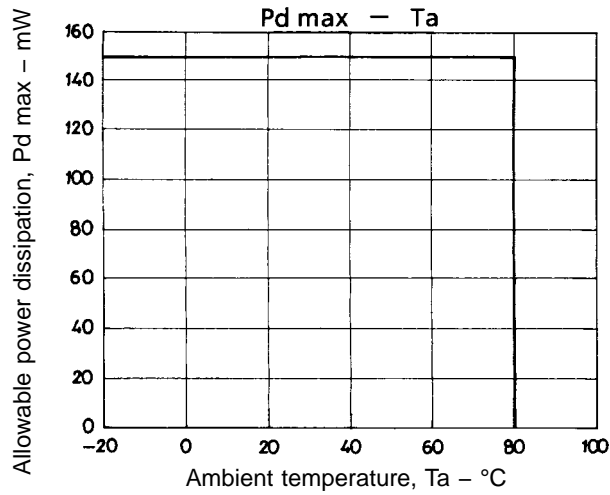
#### Operating Conditions at Ta = 25°C

Parameter	Symbol	Conditions	Ratings	Unit
Recommended supply voltage	$V_{CC}$		4.5	V
Operating voltage range	$V_{CCop}$		1.5 to 8.0	V

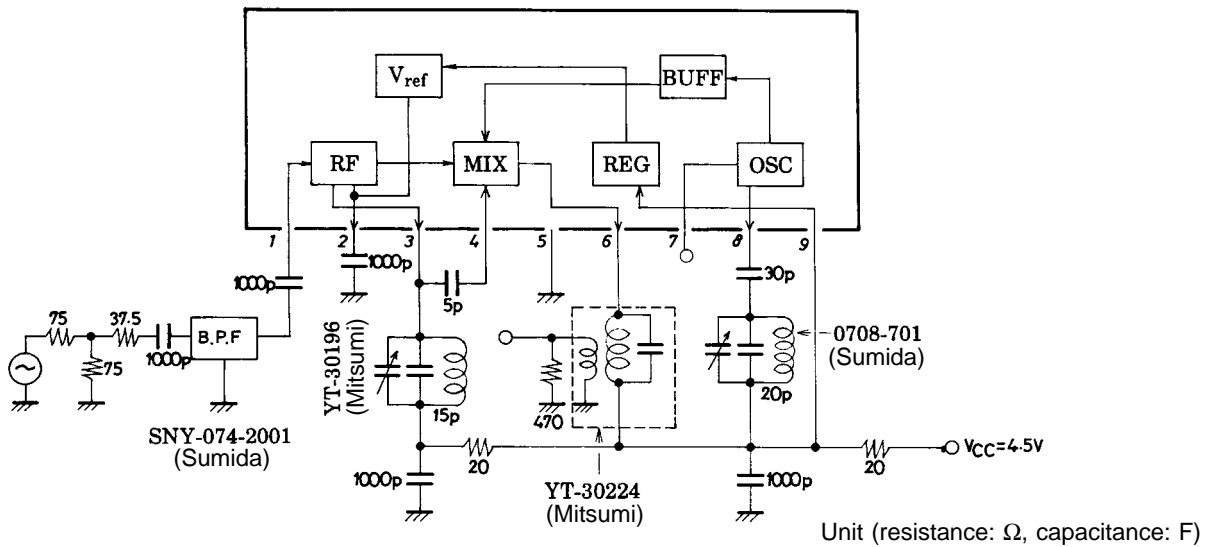
# LA1185

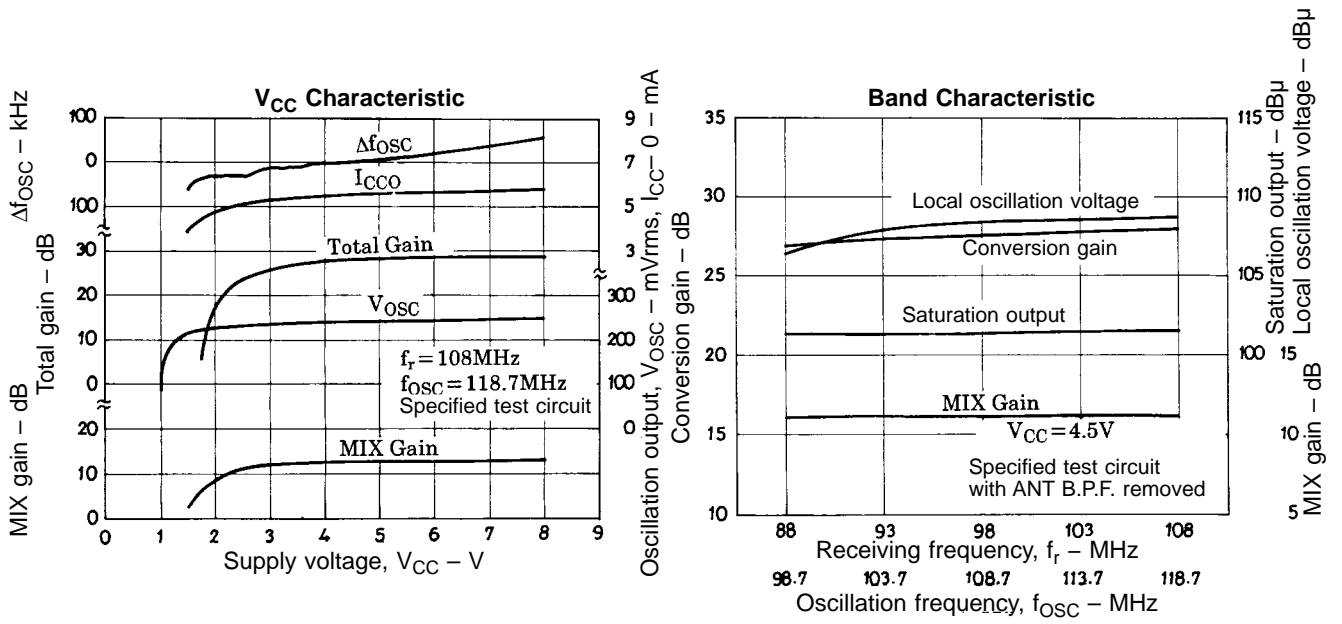
**Operating Characteristics at  $T_a = 25^\circ\text{C}$ ,  $V_{CC} = 4.5\text{ V}$ ,  $f_r = 108\text{ MHz}$ ,  $f_{OSC} = 118.7\text{ MHz}$ ,  
See specified Test Circuit**

Parameter	Symbol	Conditions	min	typ	max	Unit
Current dissipation	$I_{CC}$	Quiescent		5.5	8.0	mA
Output saturation voltage	$V_o$	100 dB $\mu$	95	115	135	mVrms
Local oscillation voltage	$V_{OSC}$	$V_{CC} = 2\text{ V}$	190	235		mVrms
Oscillation stop voltage	$V_{stop}$			1.4	1.6	V

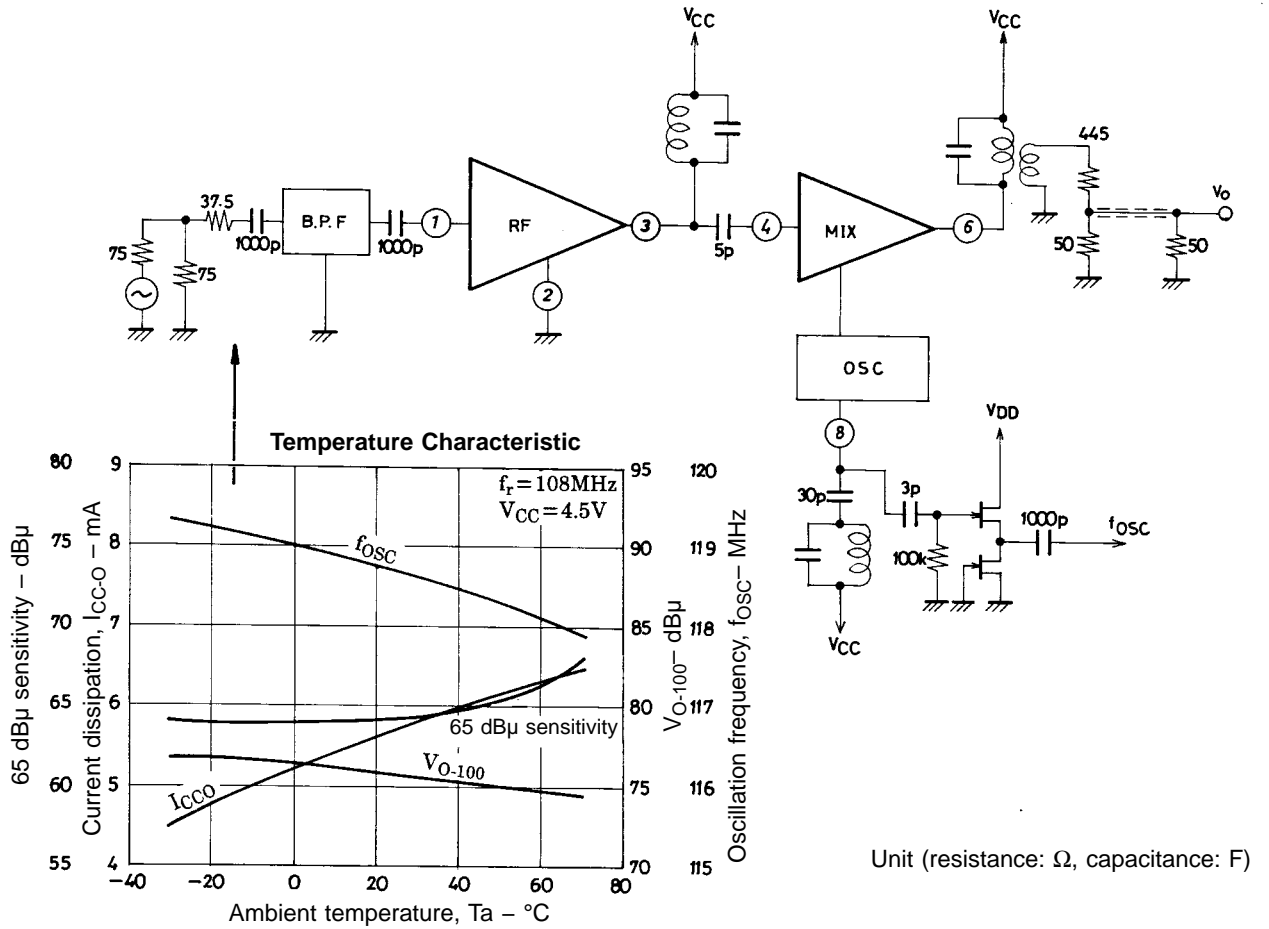


## Test Circuit and Equivalent Circuit Block Diagram



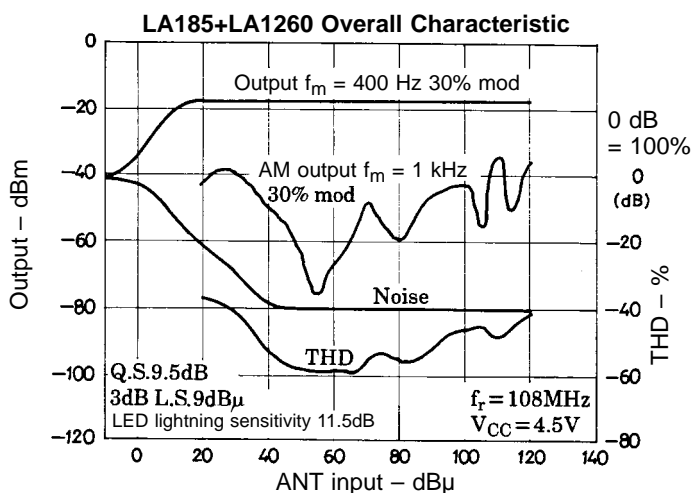
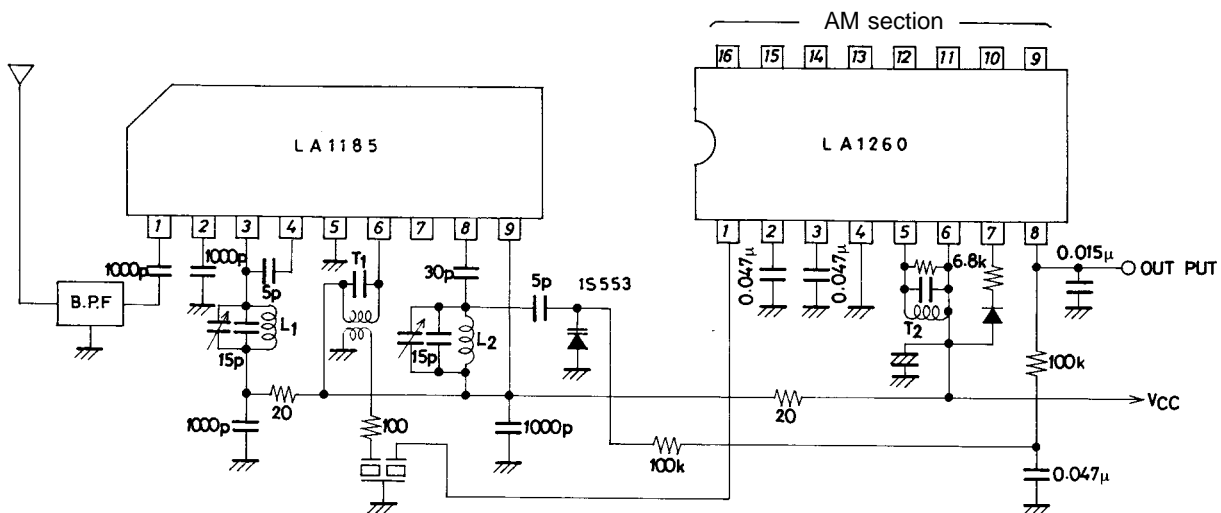


Temperature Characteristic Test Circuit



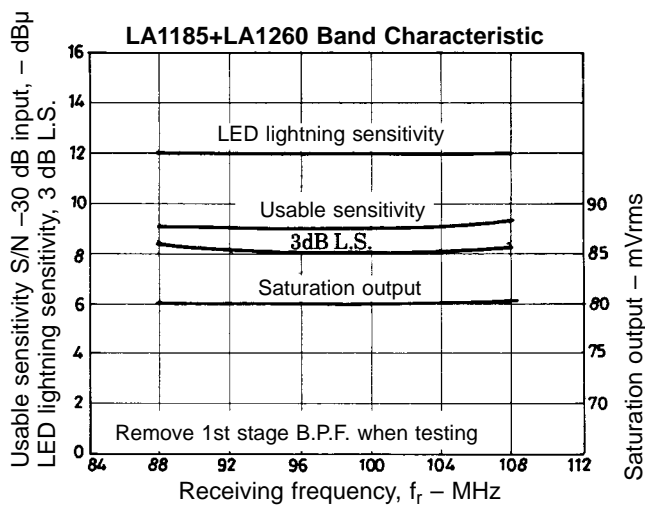
# LA1185

## Sample Application Circuit: LA1185 + LA1260 US band



Unit (resistance: Ω, capacitance: F)

	Mitsumi	Sumida
T1	YT-30224	2153-4016-006
T2	YT-30194	2153-4095-339
L1	YT-30196	0708-700
L2	YT-40001	0708-701
B.P.F.	YT-30025	SNY-074-2001



- No products described or contained herein are intended for use in surgical implants, life-support systems, aerospace equipment, nuclear power control systems, vehicles, disaster/crime-prevention equipment and the like, the failure of which may directly or indirectly cause injury, death or property loss.
- Anyone purchasing any products described or contained herein for an above-mentioned use shall:
  - ① Accept full responsibility and indemnify and defend SANYO ELECTRIC CO., LTD., its affiliates, subsidiaries and distributors and all their officers and employees, jointly and severally, against any and all claims and litigation and all damages, cost and expenses associated with such use:
  - ② Not impose any responsibility for any fault or negligence which may be cited in any such claim or litigation on SANYO ELECTRIC CO., LTD., its affiliates, subsidiaries and distributors or any of their officers and employees jointly or severally.
- Information (including circuit diagrams and circuit parameters) herein is for example only; it is not guaranteed for volume production. SANYO believes information herein is accurate and reliable, but no guarantees are made or implied regarding its use or any infringements of intellectual property rights or other rights of third parties.

This catalog provides information as of August, 1996. Specifications and information herein are subject to change without notice.